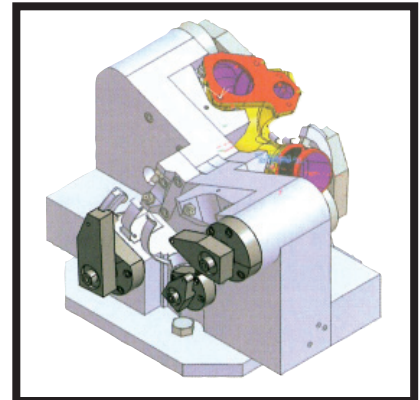
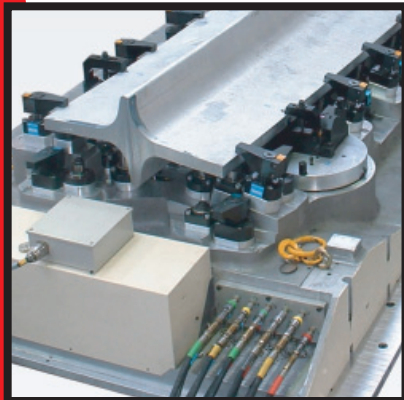
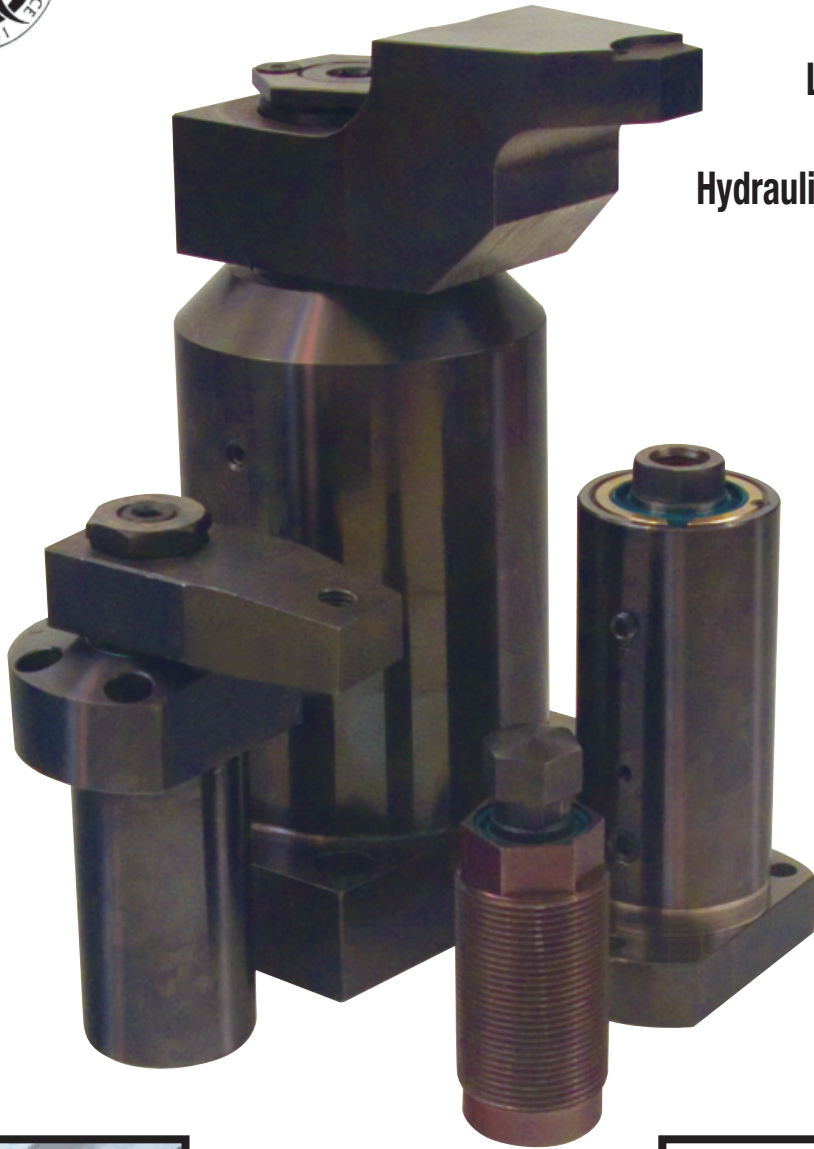


HYDRAULIC WORKHOLDING SYSTEMS

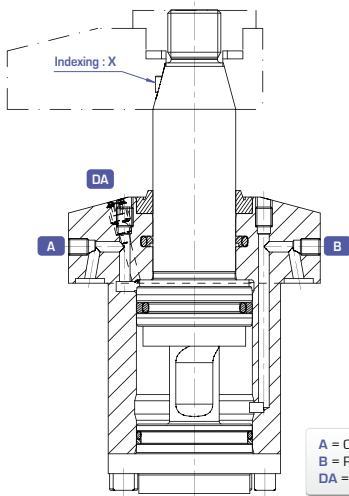


- Swing Clamps
- Linear Cylinders
- Locking Cylinders
- Work Supports
- Hydraulic Power Supplies
- Accessories



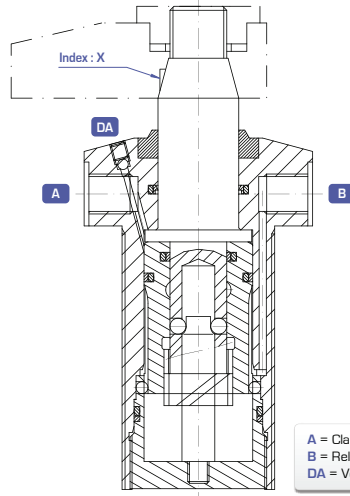
All American Hydraulic Workholding Systems made by Quiri reach the highest quality standard in the world thanks to their unique design and the high manufacturing quality.

MODELS AVAILABLE



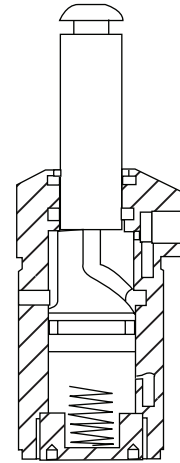
P TYPE HELICAL STROKE

Cylinder with Helical Pivoting



P TYPE PLANER STROKE

Cylinder with Rotation in the Plane



THE COMPETITOR



LINEAR CYLINDERS



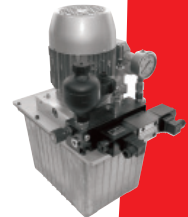
SWING CLAMPS WITH ROTATION IN A PLANE • SWING CLAMPS WITH HELICAL ROTATION



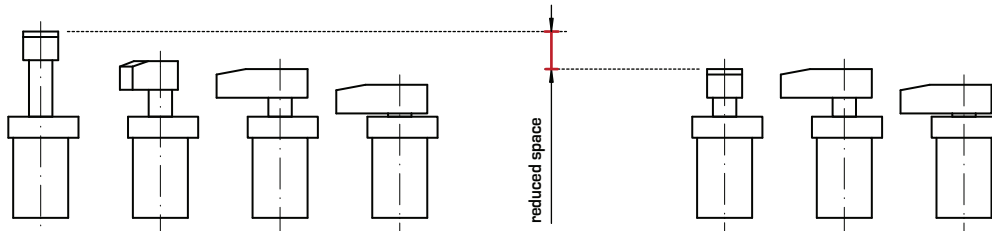
WORK SUPPORTS



T-LOCK • R-LOCK



HYDRAULIC POWER UNITS • AUTO-COUPLERS



Benefits of All American Swing Clamps made by Quiri.

	All American Swing Clamp	Competitors	Advantages
1	Swing movement without vertical stroke	Helical swing movement with vertical stroke	With a smaller total stroke, the swing arm can operate in a smaller area. The life of the seals is dramatically improved as a result.
2	Clamp arm with indexing	No Indexing Available	The arm can't move from its angular position because of the indexing.
3	Swing system with very strong and solid swing action	Uses helical groove and beads	Because of the absence of a ball that could damage the system, the work life is increased.
4	No torque limitation system	Use of ball bearings in the swing system needs a torque limitation	There is no chance that the clamping arms in the wrong place.
5	Swing clamps and Work Supports with built in drainage	No drain available	All the clamps move in Synchronized movement, There is no need to add drainage in the workholding device
6	Nitrided Piston rod	Cemented steel	There is better resistance against corrosion and seizing with a roughness of RA=8 to improve life of the seals
7	Arm fixture with a 15° cone angle	Cone at 5°	Disassembly is easier with no need for the use of a hammer to remove the arm. With a 5° angle the arm will be blocked.
8	Includes a special Nord-lock washer	No washer is available	Our clamp can not be unscrewed by itself.
9	Urethane Seals	Standard nitrile seals	Longer life and less maintenance

AUTHORIZED DISTRIBUTOR:

ALL AMERICAN PRODUCTS GROUP

1135 Aviation Place
San Fernando, CA. 91340-1360
(818) 361-0059 • (800) 423-2431
(818) 898-2236 FAX
Warehouses: San Fernando, CA • Atlanta, GA
www.allamericanproducts.com
E-mail: sales@allamericanproducts.com