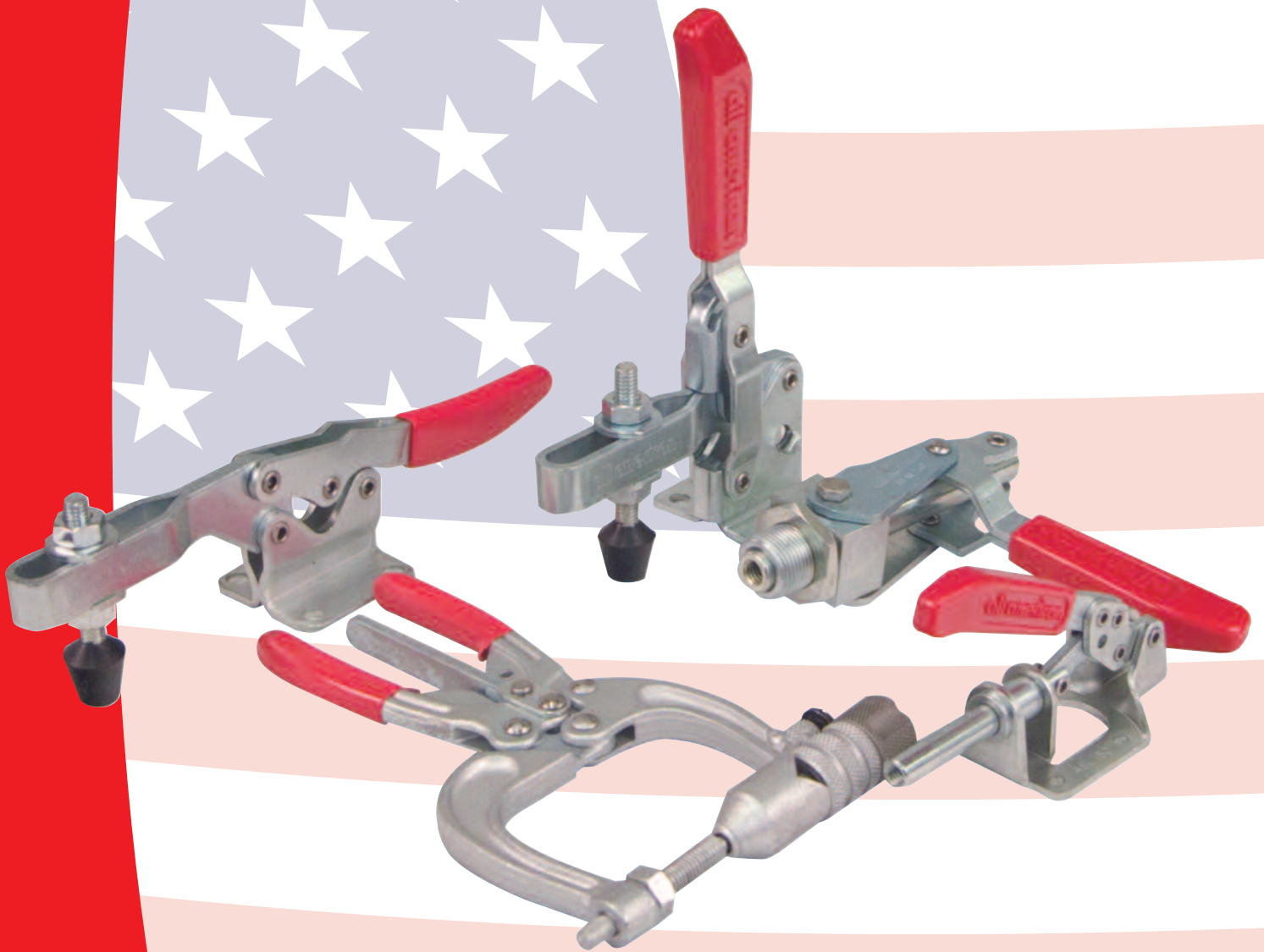




ALL AMERICAN TOGGLE CLAMPS™



We would like to introduce the **All American Toggle Clamp™** line of products. We have worked hard to put together a set of clamps with a widest variety of options for you to choose from. A variety to suit many of your manufacturing needs. Each item is engineered to be the best and most reliable product we can offer. We think that these clamps stand up to the standard that All American has always had and will continue in the future.

ALL AMERICAN TOGGLE CLAMPS™

RELEASE-**LOCK**



HORIZONTAL HANDLE



VERTICAL HANDLE



VERTICAL HANDLE LOW PROFILE WITH RELEASE LOCK



STRAIGHT LINE ACTION COMPACT



STRAIGHT LINE ACTION FORGED BASE



STRAIGHT LINE ACTION RETRACTABLE ACTION



SPECIAL HOLD DOWN CLAMPS



LATCH TYPE CLAMP PARALLEL LATCH BAR



LATCH TYPE CLAMP HOOK VERSION



LATCH TYPE CLAMP HIGH TEMPERATURE APPLICATIONS



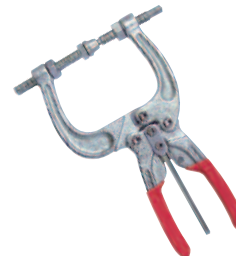
U-BAR TYPE LATCH CLAMP



HEAVY DUTY U-BAR TYPE LATCH CLAMP



SQUEEZE ACTION CLAMP WITHOUT RELEASE LEVER



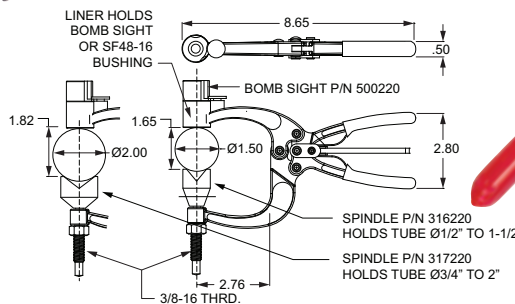
SQUEEZE ACTION CLAMP WITH RELEASE LEVER



AIR CLAMP

ASA250-BS BOMB SIGHT®

ASA550-BS BOMB SIGHT®



ALL AMERICAN PRODUCTS GROUP

1135 Aviation Place
 San Fernando, CA. 91340-1360
 (818) 361-0059 • (800) 423-2431
 (818) 898-2236 FAX
 www.allamericanproducts.com
 E-mail: sales@allamericanproducts.com